

VORZE
A10
CYCLONE SA
+PLUS
USER GUIDE

Product information:

Main unit
User Guide
USB-C charging cable
VORZE Smooth Lotion 50ml
A10 CYCLONE SA Inner Sleeve

Using the media player

Please download the latest version of the media player. Please check the VORZE website for information on the newest player.

*You will need an LPEG POINT user account to enjoy interactive videos.

VORZE website: See compatible software
<https://www.vorze.jp/en/a10cyclonesa/specs/#extension>



Troubleshooting

The product does not turn on.

Make sure the product is properly charged.

The mode indicator shows a blue light, and the product does not accept any controls.

Please check that it is not connected with your smartphone or computer.

The product does not sync with the videos.

Please make sure you are using a video with the +1D standard.

Loss/breakage of specific parts

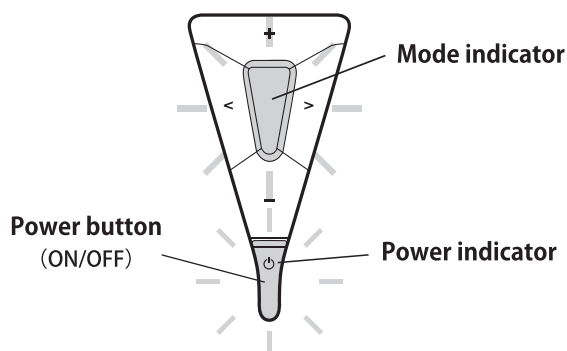
Please contact us at info@vorze.jp

For more information about this product and its functions please visit <https://www.vorze.jp/en/>



This product is compatible with +1D and +1DVR. Visit our website for more details.
<https://www.vorze.jp/>

Power button and charging



To turn the product on, press and hold the Power button. The Power indicator will flash in 7 colors.

ON : Power indicator(green)/Mode indicator(white) will flash.
OFF: Press and hold the Power button; the product also turns off if it is not operated for 3 minutes.

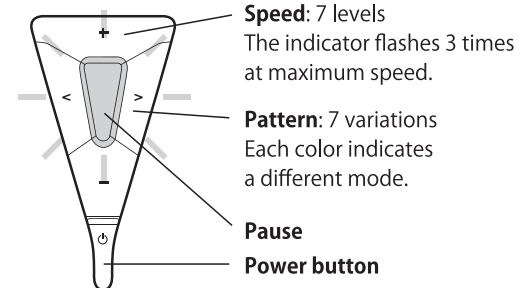
Insert the USB-C charging cable to the power input on the bottom.
To prevent the charging cable from deforming, plug in/out the cable with care.

Charging: Power indicator will blink in green.
Fully charged: Power indicator will turn off.
Low battery: Power indicator will blink in red.

How to Enjoy Interactive Videos

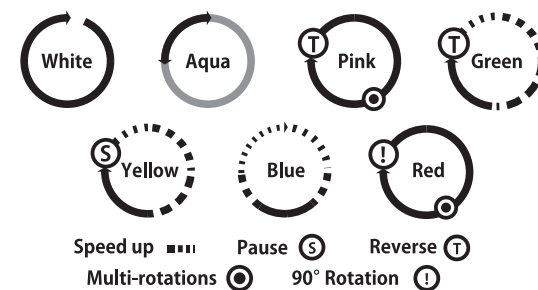
1. Turn on Bluetooth on your smartphone/tablet. Also, turn on Location Services. When using a PC, please check your Bluetooth availability beforehand.
2. Open the latest version of the media player. Log in using the LPEG point account.
3. Turn on the main unit.
4. Search Bluetooth devices from the media player app's settings. The main unit will be recognized, and the mode lamp will turn blue.
5. Return to the Contents menu. Select the video you want to play, and the syncing will start automatically.

Basic operations



*Speed/pattern control will not be available during BLE connection.
BLE = Bluetooth Low Energy

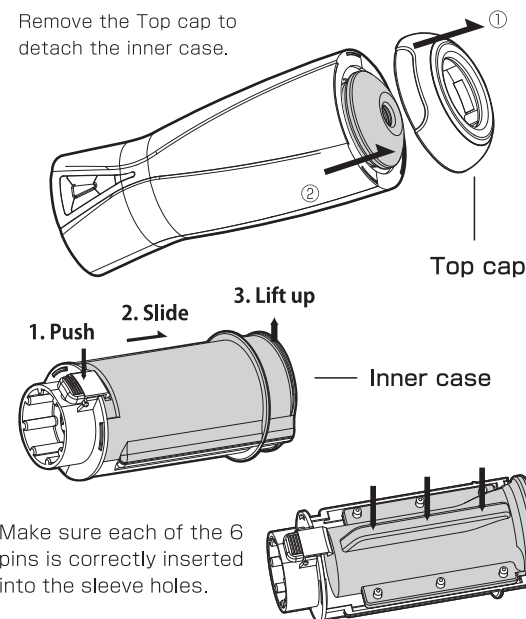
Mode lamps and patterns



*When an excessive load is applied to the motor, it will automatically stop for 3 seconds.

Handling and Maintenance

Remove the Top cap to detach the inner case.



Make sure each of the 6 pins is correctly inserted into the sleeve holes.



The A10 CYCLONE SA +PLUS is not waterproof. Avoid washing with water and use a dry cloth to clean. Also, please wipe off any water immediately.

⚠ Safety Precautions

To avoid fire, electrocution, injuries, or any other fatal damage, please follow all instructions below.

- Make sure there are no breakages or damages before use. Please discontinue use if such damages have been confirmed.
- Apply the VORZE Smooth Lotion for comfortable use. Avoid any lubricant from entering the inner parts.
- Inserting while the product is in motion is dangerous.
- Be sure to insert yourself before starting the movements.
- Make sure the product stays stable while in motion. Unstable positioning may stress the motor and result in an injury.
- Please do not disassemble, repair, or attempt to modify the product.
- Do not place the product in extremely hot, humid, or dusty places. Oil smokes and steams can damage the product as well. Avoid water and other objects from entering the internal parts.
- Keep out of reach of children.
- Please do not place other objects on the product and avoid placing it in unstable areas.
- Avoid touching the input terminals directly.
- If you experience any abnormal reactions to your body during use, immediately stop use and consult your doctor.
- Use a soft, dry cloth to clean the product. Avoid using detergents including benzene and thinner cleaning products.



Inquiries and support
info@vorze.jp

Rends
RENDS Co.,Ltd.
<https://www.rends.jp/en/>